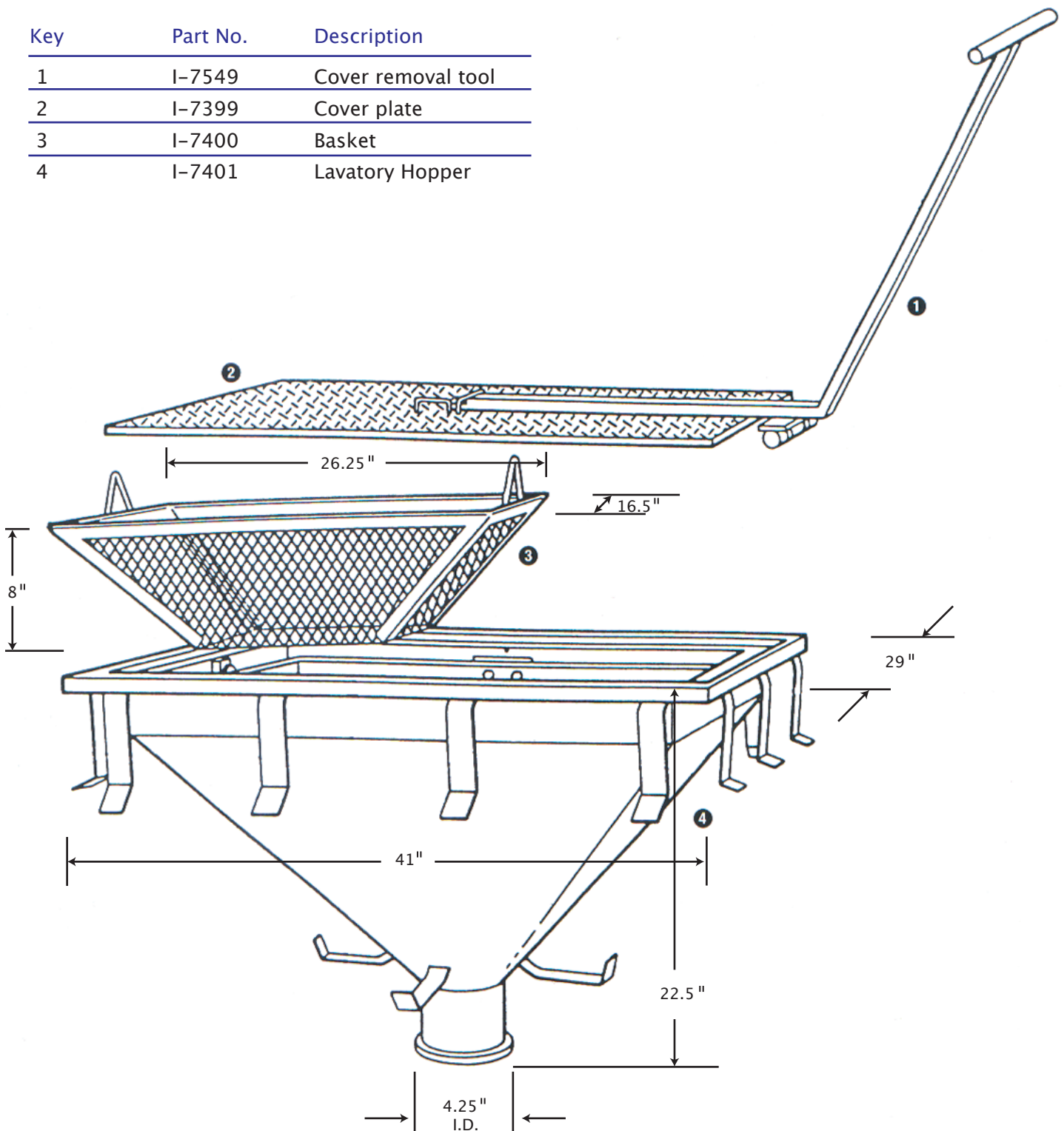


# Lavatory Hopper

Key	Part No.	Description
1	I-7549	Cover removal tool
2	I-7399	Cover plate
3	I-7400	Basket
4	I-7401	Lavatory Hopper



Hudson River Corp.

Hoboken NJ 07030-2270  
 201-420-3311 201-420-3322 fax

This drawing and all information thereon, both explicit and implied, are the sole property of Hudson River Corp. and may not be reproduced, transferred or disclosed for any purpose except as specifically authorized in writing by Hudson River Corp.